

Multifunctional microphone for AE 5900 Mini SSB

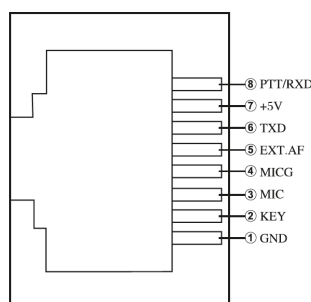
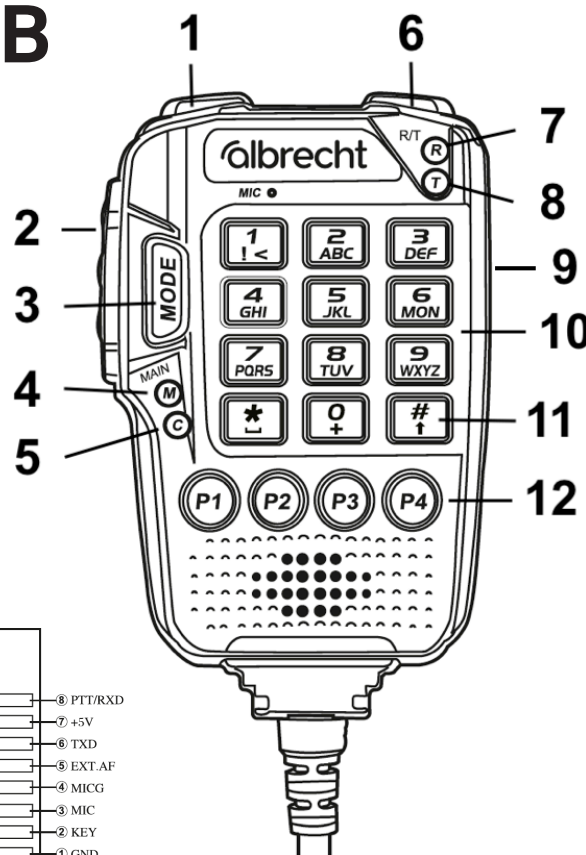
Multifunctional microphone for AE 5900 Mini SSB with RJ45 connector and 4 programmable buttons.

To use the multifunction microphone, you must select "TYPE2" under "Microphone Type" in the menu of the AE 5900 CB radio (see instructions in section 7.4.1.).

The following programmable functions are available:

Mute, Mode, VOX, EMG, ASQ, DW (Dualwatch), CTCSS/DCS, SCAN

On the right side of the microphone, there is a slider for the key lock. When the slider is at the bottom, the key lock is active.



(Pin layout of microphone socket)

No.	Button / LED indicator	Function
1	DN (Down)	previous channel / movement in menus
2	PTT transmit button	Press and hold to send
3	MODE	Change operating mode: AM / FM / SSB / PA / CW
4	LED M (Mute)	Lights up when the device is muted
5	LED C (CTCSS/DCS)	Lights up when a CTCSS/DCS tone is set
6	UP	Next channel / Movement in menus
7	LED R (RX)	Lights up when receiving
8	LED T (TX)	Lights up when sending
9	Key lock	Slide switch at bottom = key lock active
10	number keys	Selection of channels
11	* and # keys	* decreases the volume / # increases the volume
12	Programmable buttons P1 to P4	The following functions are available: Mute, Mode, VOX, EMG, ASQ, DW, CTCSS/DCS, SCAN

Article No. 42140

ALAN ELECTRONICS GMBH

Daimlerstraße 1g · D-63303 Dreieich
Tel.: +49(0)6103-9 48 10 Fax: +49(0)6103-94 81 60
info@albrecht-midland.de

Nikolaus-Otto-Str. 1 · D-22946 Trittau
Tel.: +49 (0)4154-84 90 · Fax: +49 (0)4154-84 91 00
kontakt@albrecht-midland.de · www.albrecht-midland.de