

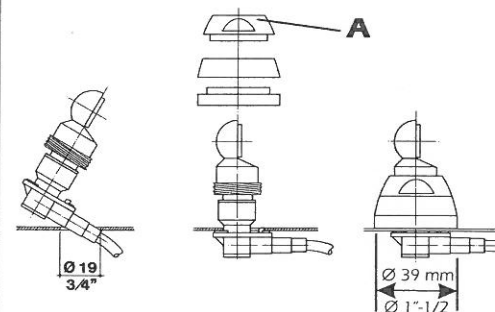
SPECIFICATIONS

Electrical Data	
Type	VHF: $1/4 \lambda$; UHF: $3/4 \lambda$
Frequency Range	VHF 137 - 152 MHz
@ SWR ≤ 2	UHF 414 - 455 MHz
Impedance	50 Ω
Radiation	360° Omnidirectional
Polarization	Linear Vertical
Gain	0 dB ref. to a $\lambda/4$ whip
Max Power (CW) @ 30°C	100 Watts
Standard Mount	"SL" type, cable 5m RG 58

Mechanical Data	
Materials	Stainless Steel 17/7 PH, Nylon, Chromed Brass
Height (approx.)	535 mm
Weight (approx.)	360 gr
Mounting hole	\varnothing 19 mm

MOUNT INSTALLATIONS

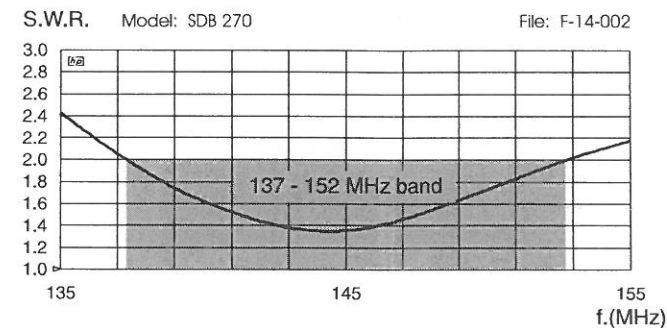
"SL" Mount



REMARK: Be careful during installation do not use too much strenght but tighten the metal ring **A** by means of the suitable tool.
TIGHTENING TORQUE: 4 Nm \pm 10%

ATTENZIONE: Porre attenzione durante l'installazione. Non serrare con troppa forza ma avvitare l'anello metallico **A** utilizzando la chiave adeguata. **COPPIA DI SERRAGGIO: 4 Nm \pm 10%**

TYPICAL S.W.R. RESPONSE



TYPICAL S.W.R. RESPONSE

